

Rittal – Micro data centre



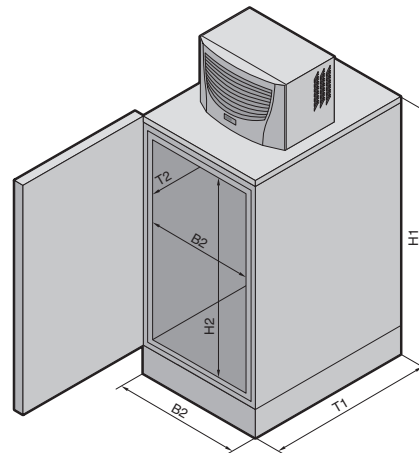
Micro data centre

Basic Safe Compact



With the Basic Safe Compact, Rittal presents the smallest climate-controlled data centre.

Small companies, in particular, can now be offered a cost-efficient solution for the protection of tape libraries, individual 19" servers or the like.



Benefits:

Description of standard features

- Security enclosure with operating and service doors (three-point locking)
- Cable entry in both side elements
- Cooling capacity 1.3/2.4 kW
- Usable height for installations 15 U

Compatible options

- Early fire detection system – EFD Plus
- Fire alarm and extinguisher system DET-AC Plus
- Monitoring – CMC-TC
- Uninterruptible power supply – PMC 12
- 19" server rack

Applications

- Micro data centre for small companies
- Protection for servers, storage applications, ...
- Suitable for integration into smaller office rooms
- Storage of personal data, e.g. doctors' surgeries or tax advisors

Basic Safe Compact

Model No.	110010399800	110010399600
Cooling capacity kW	1.3	2.4
Width (B1) mm	806	806
Height (H1) mm	1646	1699
Depth (T1) mm	1319	1319
Clearance width (B2) mm	620	620
Clearance height (H2) mm	827	827
Clearance depth (T2) mm	1024	1024
Weight kg	330	360
19" rack		
Model No. DK	7995.992	7995.992
U	15	15
Depth mm	1000	1000

Series-standard protection against:



Fire



Extinguishing water



Vandalism



Unauthorised access



Theft/burglary

Fire protection F90 to DIN 4102. Compliance with limit values $\Delta T < 50$ K, relative humidity $< 85\%$ for 10 minutes.

Tested burglary protection WK II. Protection against dust and water jets IP 55. The tests were performed as a system test and confirmed by way of test certificates.

Colour:

Basic Safe: RAL 7035